

Almy Processional Torches

Assembly and Installation

In order to minimize the effects of excess packaging and high delivery costs on the price of your torch, we have shipped it in easy-to-assemble parts. Follow these simple instructions to assemble and install your torch.

PROCESSIONAL TORCH PARTS

Each processional torch in this package includes these parts:

- A** Brass bobeche (wax catcher-candle holder), found inside the small box(es) in the interior of this package.
- B** Wood or brass pole — one end with a rubber “foot”, the other with a threaded hole to accept the bobeche (A).
- C OPTIONAL PARTS**
 - Glass globe/chimney, if a part of the torch you ordered.
 - Almy Liquid Candle™, if ordered with your torch.
 - Candle socket, if ordered with your torch.
 - Floor Base (not illustrated).

TO ASSEMBLE PROCESSIONAL TORCHES

Screw Bobeche (A) to Pole top (B) by turning Part A clockwise. Make snug — do not over tighten.

TO ADD OPTIONAL PARTS

1. Almy Liquid Candle. Screw candle onto fixed threaded stud in the bobeche.
2. Glass globe/chimney. Depending on torch style, fit glass chimney into ornamental fitting, or into holder with set screws. If fixture with set screws, do not over tighten as chimney is fragile.
3. Socket. Screw socket onto the fixed threaded stud in the bobeche.



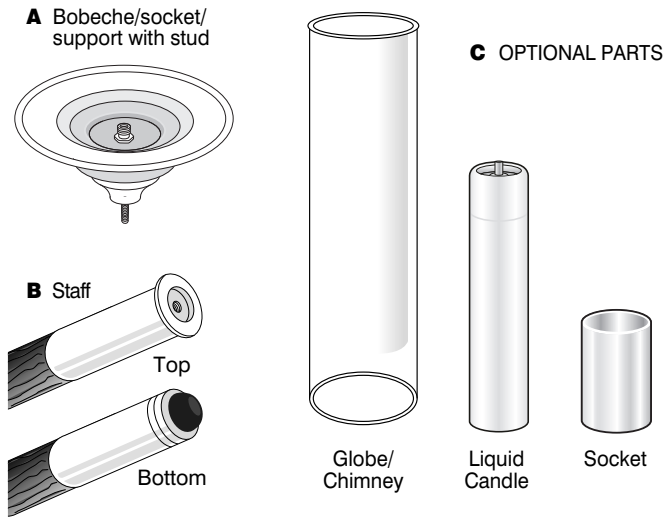
CM ALMY

800.225.2569 www.almy.com

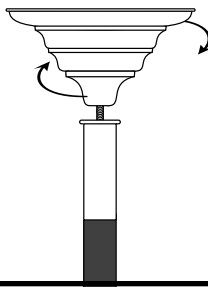


AIK306-1

Processional Torch Parts



Assemble Processional Torch



Adding Optional Parts

