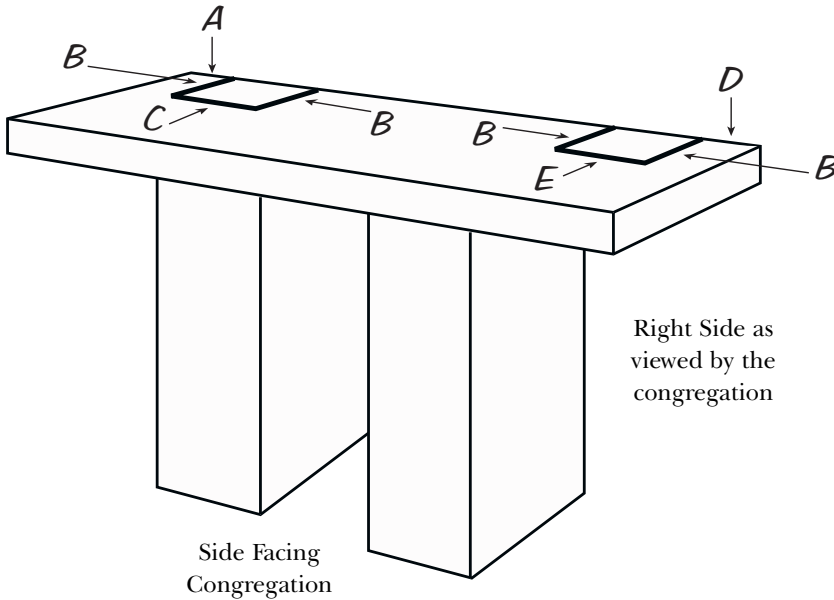




# CM ALMY

## Identifying Location for Table Top/Altar Cover Cut Out

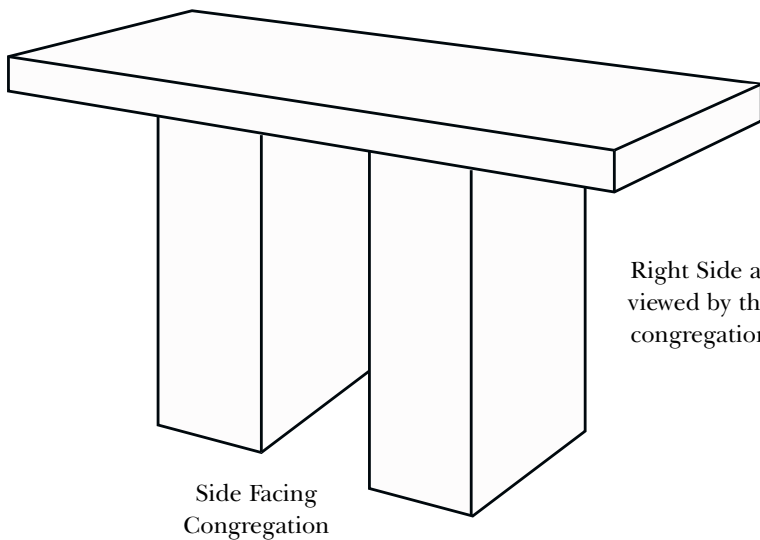
### EXAMPLE:



- 1 On the form below, indicate the dimensions of the section of the table top Almy should "cut out" in order for the hanging to fit your altar or table.
- 2 Identify the sections of the cut out with "Letters" whose dimensions you can note on the corresponding measurements box.
- 3 Note the measurements for each section of the cut out adding additional sections if necessary to correspond to your drawing.

EXAMPLE MEASUREMENTS	
A=	<u>8</u> inches
B=	<u>4</u> inches
C=	<u>12</u> inches
D=	<u>8.5</u> inches
E=	<u>11.5</u> inches

**NOTE:** *If the shape of your cut out for the table top is something other than 90 degree angles, then please trace a paper pattern and send to CM Almy at the address below.*



### YOUR CUT OUT LOCATION AND DIMENSIONS:

MEASUREMENTS	
A=	_____ inches
B=	_____ inches
C=	_____ inches
D=	_____ inches
E=	_____ inches

*Please send a paper pattern of the shape of the cut out you need to:*

**CM ALMY 1 Ruth Road Pittsfield, ME 04967**

*Please state your order number. Thank You!*